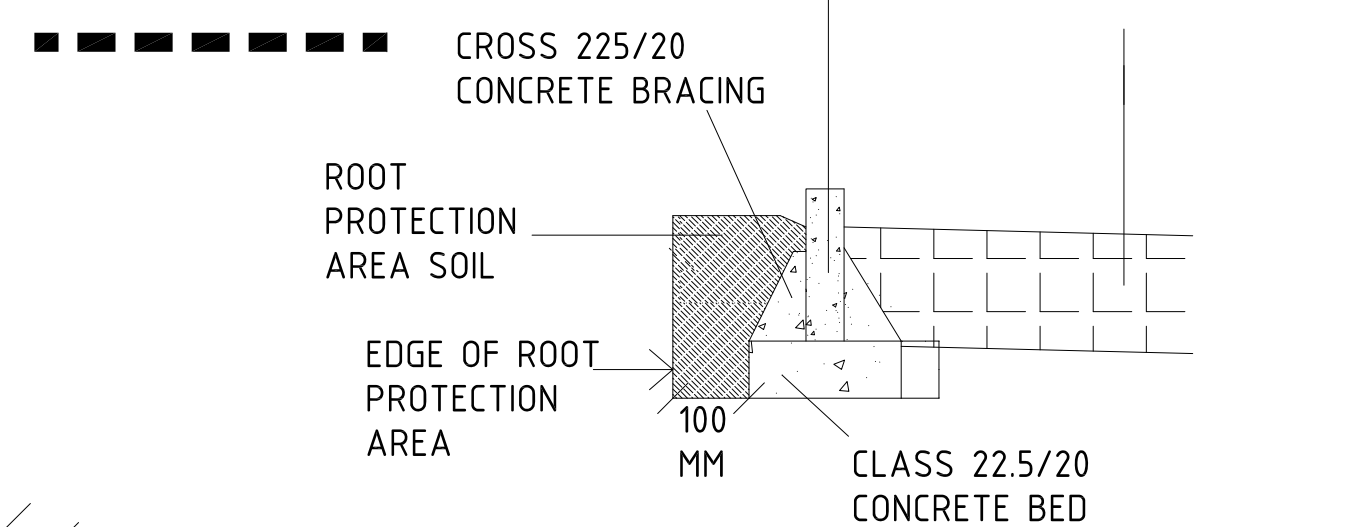


KERB DETAIL TO ROOT PROTECTION AREA

SEE SECTION X - X



GROUND LEVELS RAISED TO ALLOW ACCESS FROM ROAD TO NEW DRIVE. INNER EDGE OF STRIP TO ENSURE WATER IS SHED TOWARDS THE ROAD

ANY HARDSTANDING AREA TO BE POROUS MATERIAL TO ELIMINATE SURFACE FLOODING

T3 SILVERBIRCH TO BE REMOVED BY MUTUAL AGREEMENT

RAINWATER HARVESTING TANK. INSTALLATION, DESIGN AND DETAILS BY SPECIALIST MANUFACTURER

NEW ENTRANCE

PIN KERB

SELECTED EXISTING GROUND LEVEL

FFL = 50.32  
PROPOSED FFL WAS TO BE 50.250. REVISED FFL IS TO BE 50.02 + 0.3 = 50.32

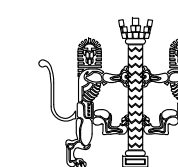
PROTECTIVE BARRIER

T1 PINE RPA 7.6M

EXISTING GROUND LEVELS REGRADED TO THE MINIMUM TO ALLOW THE DRIVE LEVELS TO MEET THE LEVELS ON THE HOUSE SIDE OF THE LINE TO ALLOW A SMOOTH ACCESS FOR VEHICLES FROM THE ROAD DOWN TO THE BOTTOM OF THE DRIVE.

INSIDE RPA LEVELS TO REMAIN UNCHANGED. SURROUNDED BY A BARRIER OF BUSHES

REVISION C	17.07.15	CG
REVISION B	15.07.15	CG
REVISION A	10.07.15	CG



**W.M. GRAHAM ASSOCIATES**  
RIBA CHARTERED ARCHITECTS

1 Peach Street  
Wokingham  
Berkshire  
RG40 1XJ

Tel: 0118 9770464  
Email: wmg\_architects@btconnect.com  
Website: www.wmgramham-architects.co.uk

JOB  
**PINE PLATT  
HEATH RIDE,  
FINCHAMPSTEAD  
RG40 3QJ**

TITLE  
**THEODOLITE WITH  
TREE PROTECTION**

SCALE	DATE	DRAWN BY
1:100 @ A1	JUN 15	CG
JOB NO.	DRAWING NO.	REVISION
2932	06	C

